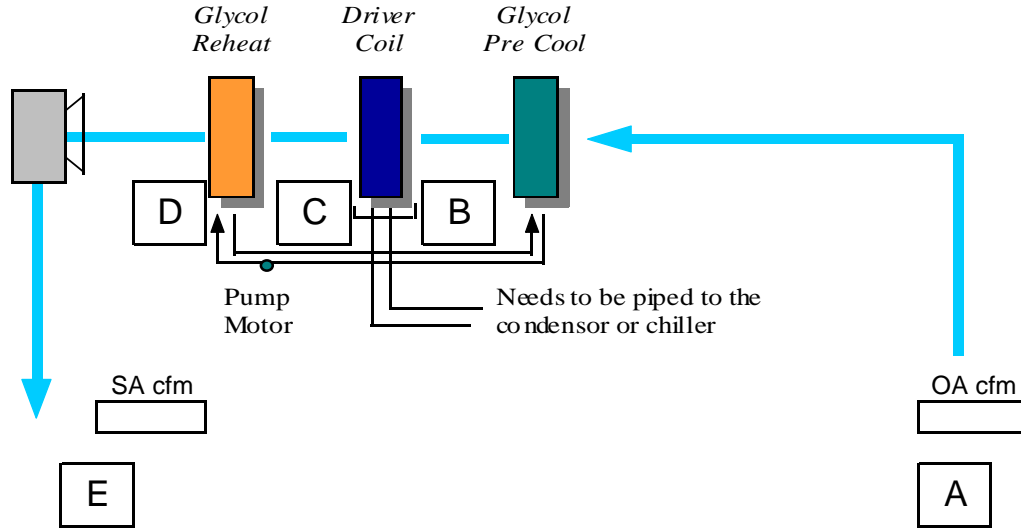


WORKSHEET

Flow Diagram - TRO

Job Name:	
Unit ID:	
Model:	
Date:	

See example on back



Cooling					
	A	B	C	D	E
db					
wb					
RH%					
Btu/Lbs.					
gr./lbs.					
	OA	PC	Coil	RH	SA
	EAT	LAT	LAT	LAT	LAT

TONS OF COOLING REQUIRED (Conventional Method) 0.0 indicates not calculated
 Sensible BTU/LBS. OF REHEAT REQUIRED (Conventional Method)
 TONS OF FREE COOLING (BERI Unit)
 TONS OF COOLING REQUIRED (BERI Unit) Type of Cooling
 Sensible BTU/LBS. OF FREE REHEAT (BERI Unit)

Heating					
	A	B	C	D	E
db					
wb					
RH%					
Btu/Lbs.					
gr./lbs.					
	OA	PC	Coil	RH	SA
	EAT	LAT	LAT	LAT	LAT

BTU/LBS. OF SENSIBLE HEAT REQUIRED (BERI Unit) 0.0 indicates not calculated
 Type of Heating