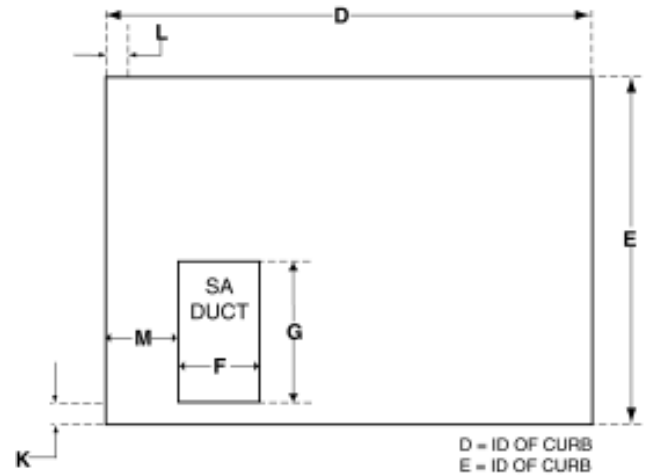
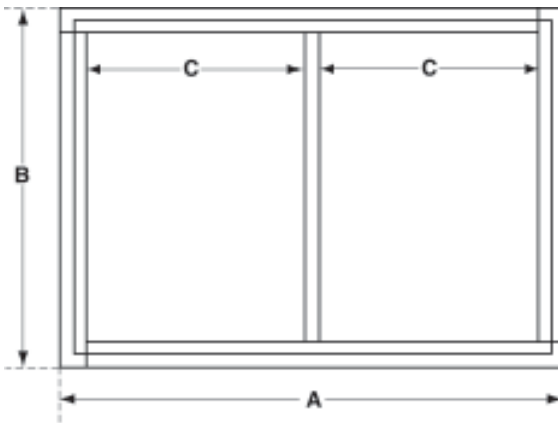


PLAN VIEW

Right-Hand Unit

Left-Hand Unit Is Mirrored



ROOF CURB DIMENSIONS

MODEL	A	B	C	D	E	F=w	G=h	K	M
3820	120-1/2	46	54-3/4	112-1/2	38	10	16	1-1/4	9-1/16
4830	120-1/2	56	54-3/4	112-1/2	48	12	19	1-1/4	9-1/4
5840	126-1/2	66	57-3/4	118-1/2	58	13	21	1-1/4	9-7/16
5855	126-1/2	66	57-3/4	118-1/2	58	15	24	1-1/4	9-1/8
6875	134-1/4	76	61-5/8	126-1/4	68	18	29	1-1/4	11-3/16
6895	146-1/4	76	67-5/8	138-1/4	68	21	32	1-1/4	10-5/8
7812	146-1/4	86	67-5/8	138-1/4	78	23	35	1-1/4	10-13/16
8815	150-1/2	96	69-3/4	142-1/2	88	26	41	1-1/4	15-1/4
9617	157-1/2	106	73-1/4	149-1/2	98	29	44	1-1/4	15-11/16
9620	170-1/2	106	79-3/4	162-1/2	98	32	44	1-1/4	18-1/4

BERNER ENERGY RECOVERY CURBS:

Berner Energy uses heavy gauge aluminized steel construction for all roof curb bases. All curbs are built and pre-assembled in our factory, in order to greatly reduce the chances of any difficulty in field assembly, then shipped unassembled to job site. Minimal field assembly required. Curbs suggested match the above reference model series of desiccant based, all season energy recovery ventilator packages. These curbs were designed for modified drop-duct connections.

SPECIAL ORDER CURBS:

To request special order curbs to match pitched roofs, specify the exact height of each corner.

NOTE: NEVER SET A CURB ACROSS A VALLEY.

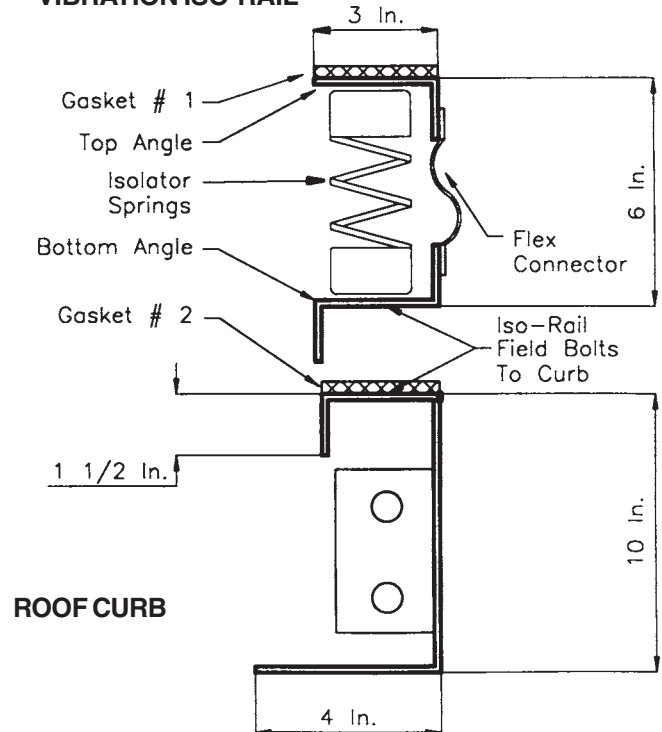
BERNER ENERGY ISO-RAILS:

Berner Energy heavy gauge, aluminized steel vibration isolation rails isolate the entire unit. They are weather-tight and field bolt-to-top of roof curb. Rails include pre-engineered, captive steel spring isolators, allowing deflection under load ranging from 1.0 to 1.3 inches. Basic models SFR and ERV have four (4) isolators. All other units have six (6) to ten (10) isolators. Iso-Rails are field leveled with built-in leveling bolts. Iso-Rail dimensions are the same as the size of the unit.

CONNECTIONS:

The first joint should be a short straight piece so you can connect to the factory flex connector collars from the inside.

VIBRATION ISO-RAIL



Berner Energy Recovery Incorporated