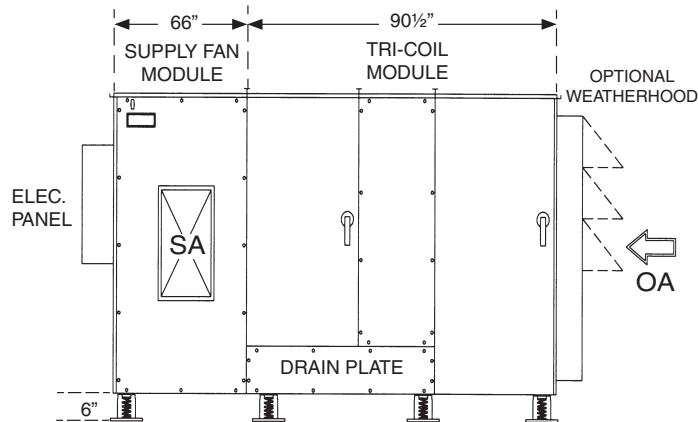
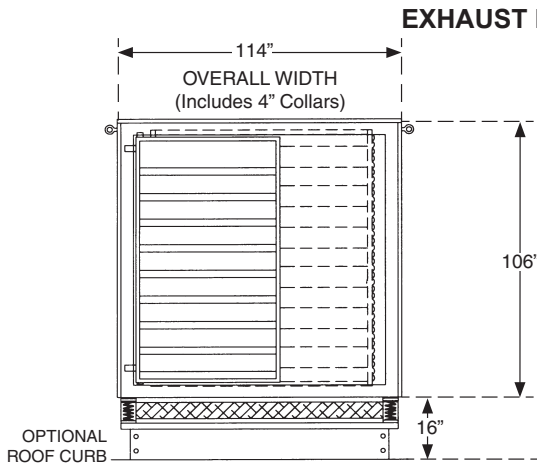


SUPPLY END

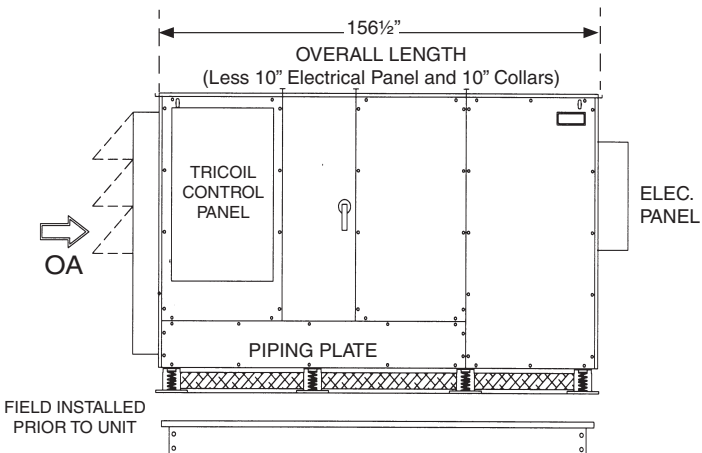


SUPPLY SIDE



EXHAUST END

EXHAUST SIDE



# 9617-TRO

16,000 to 18,000 CFM

May, 2003

## SUPPLY FAN PERFORMANCE AND MOTOR SELECTION GUIDE

(Intersect CFM with external static pressure to determine fan h.p.)

CFM	OUTLET VEL. FPM		0.5 ESP	1.0 ESP	1.5 ESP	2.0 ESP	2.5 ESP	3.0 ESP	3.5 ESP
16000	2089	RPM	797	838	880	920	960	N/A	N/A
		BHP	9.64	11.05	12.57	14.08	15.64		
		hp	15	15	15	20	20		
16500	2154	RPM	815	856	896	936	974	N/A	N/A
		BHP	10.33	11.82	13.34	14.92	16.48		
		hp	15	15	20	20	20		
17000	2220	RPM	835	875	914	952	990	N/A	N/A
		BHP	11.12	12.65	14.21	15.79	17.43		
		hp	15	15	20	20	25		
17500	2285	RPM	861	899	937	974	N/A	N/A	N/A
		BHP	12.19	13.73	15.33	16.96			
		hp	15	20	20	20			
18000	2350	RPM	878	916	953	989	N/A	N/A	N/A
		BHP	12.95	14.56	16.2	17.85			
		hp	15	20	20	25			

FAN MOTOR AMP DRAW CHART			
hp	208	240	480
15	41.0	38.0	19.0
20	54.0	50.0	24.9
25	66.0	60.0	30.0

ACCESSORIES AMP DRAW CHART			
	208	240	480
Damper Motor (ea.)	0.75	0.75	0.50
TRICOIL Pump Motor	6.00	6.00	6.00
Hot Water Modulating Ball-Valve	0.20	0.20	0.10
Temperature Sensor (ea.)	0.50	0.50	0.25
Lights and Receptical	12.00	12.00	6.00
Variable Frequency Drive for Fan (ea.)	0.50	0.50	0.25
Variable Frequency Drive for TRICOIL	0.25	0.25	0.15

Performance numbers are based on optimum conditions. Consult factory for precise performance.

**Berner Energy Recovery Incorporated**

111 Progress Avenue, New Castle, PA 16101 / Telephone (724) 657-5301 / FAX (724) 652-0682 / [www.bernerenergy.com](http://www.bernerenergy.com) / [info@bernerenergy.com](mailto:info@bernerenergy.com)

©Copyright, 2003 Berner Energy Recovery, Inc.