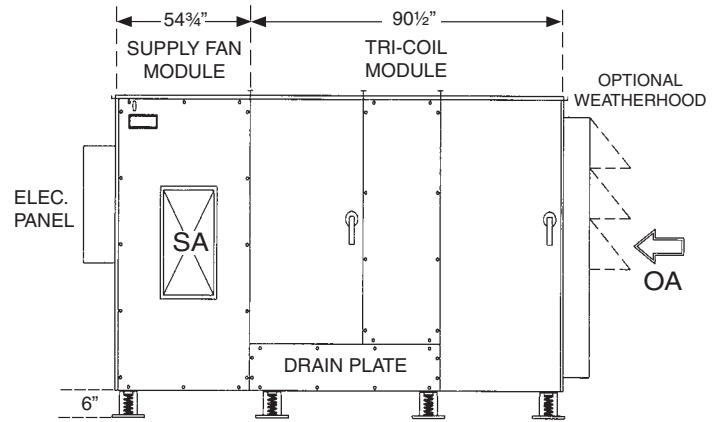
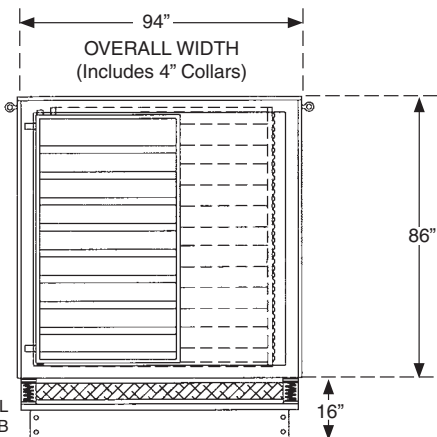


**SUPPLY END**

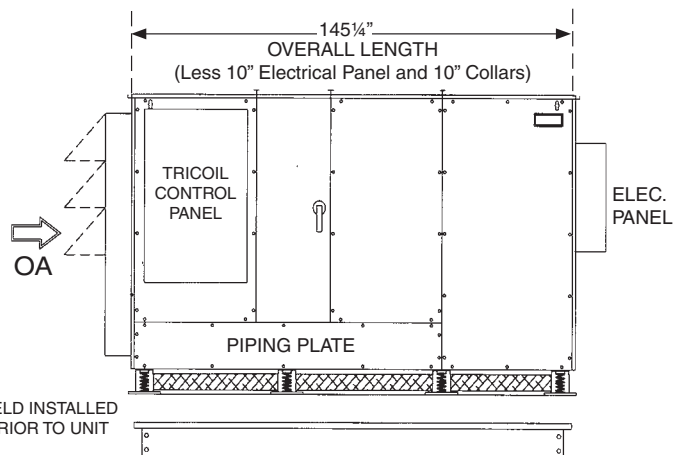


**SUPPLY SIDE**



**OA INLET END**

**BACK SIDE**



## SUPPLY FAN PERFORMANCE AND MOTOR SELECTION GUIDE

(Intersect CFM with external static pressure to determine fan h.p.)

CFM	OUTLET VEL. FPM		0.5 ESP	1.0 ESP	1.5 ESP	2.0 ESP	2.5 ESP	3.0 ESP	3.5 ESP
11000	2128	RPM	1019	1069	1118	1165	1211	1256	N/A
		BHP	6.98	7.95	8.96	9.99	1107	12.19	
		hp	10	10	15	15	15	15	
11500	2224	RPM	1073	1121	1167	1213	1257	N/A	N/A
		BHP	8.13	9.15	10.19	11.29	12.41	15	
		hp	10	10	15	15	15	15	
12000	2321	RPM	1100	1147	1192	1236	N/A	N/A	N/A
		BHP	8.8	9.87	10.94	12.05	15	15	
		hp	15	15	15	15	15	15	
12500	2418	RPM	1133	1178	1222	N/A	N/A	N/A	N/A
		BHP	9.64	10.73	11.85	15	15	15	
		hp	15	15	15	15	15	15	
13000	2515	RPM	1168	1212	1255	N/A	N/A	N/A	N/A
		BHP	10.58	11.72	12.88	15	15	15	
		hp	15	15	15	15	15	15	

FAN MOTOR AMP DRAW CHART			
hp	208	240	480
10	27.3	24.7	12.3
15	41.0	38.0	19.0

ACCESSORIES AMP DRAW CHART			
	208	240	480
Damper Motor (ea.)	0.75	0.75	0.50
TRICOIL Pump Motor	6.00	6.00	6.00
Hot Water Modulating Ball-Valve	0.20	0.20	0.10
Temperature Sensor (ea.)	0.50	0.50	0.25
Lights and Receptical	12.00	12.00	6.00
Variable Frequency Drive for Fan (ea.)	0.50	0.50	0.25
Variable Frequency Drive for TRICOIL	0.25	0.25	0.15

Performance numbers are based on optimum conditions. Consult factory for precise performance.