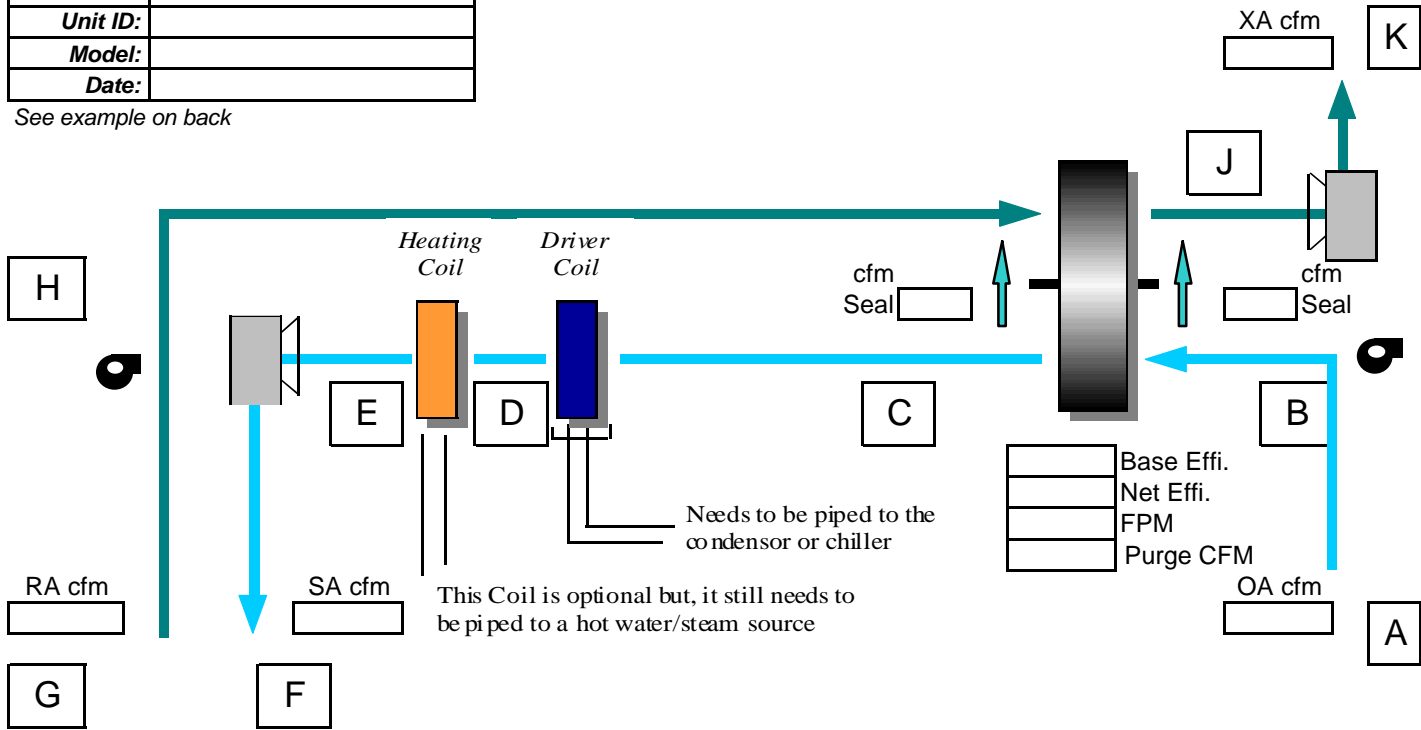


WORKSHEET

Job Name:	
Unit ID:	
Model:	
Date:	

See example on back

Flow Diagram - SRC



Cooling										
	A	B	C	D	E	F	G	H	J	K
db										
wb										
RH%										
Btu/Lbs.										
gr./lbs.										
	O A EAT	Motor LAT	Rotor LAT	C Coil	H Coil	S A LAT	R A EAT	Motor LAT	Rotor LAT	X A LAT

TONS OF COOLING REQUIRED (Conventional Method) 0.0 indicates not calculated
 TONS OF FREE COOLING (BERI Unit)
 TONS OF COOLING REQUIRED (BERI Unit) Type of Cooling

Heating										
	A	B	C	D	E	F	G	H	J	K
db										
wb										
RH%										
Btu/Lbs.										
gr./lbs.										
	O A EAT	Motor LAT	Rotor LAT	C Coil	H Coil	S A LAT	R A EAT	Motor LAT	Rotor LAT	X A LAT

BTUH OF LATENT HEAT REQUIRED (Conventional Method) 0.0 indicates not calculated
 BTUH OF FREE LATENT HEATING (BERI Unit)
 BTUH OF FREE SENSIBLE HEATING (BERI Unit) Type of Heating
 BTUH. OF SENSIBLE HEAT REQUIRED (BERI Unit) Defrost Heater required