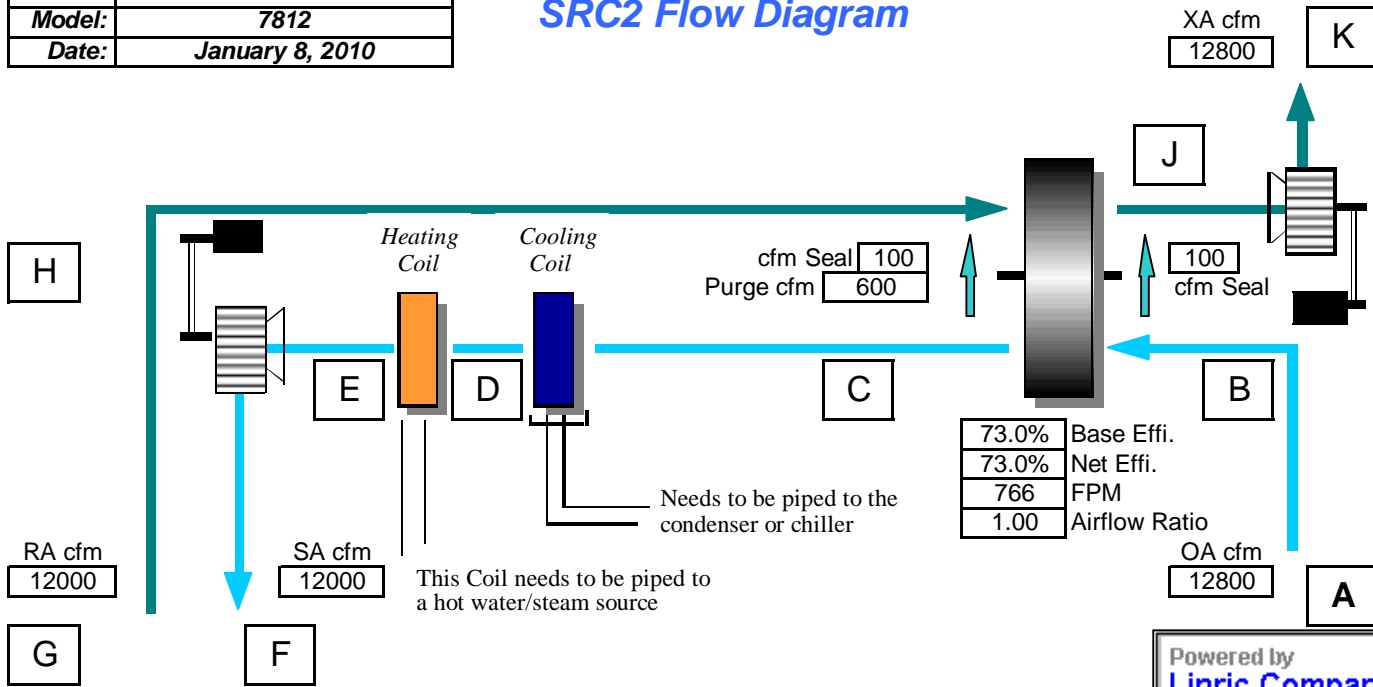


Example Diagram

Berner International Corp.

Unit ID:	ERU-1
Model:	7812
Date:	January 8, 2010

SRC2 Flow Diagram



Version 010110

Cooling

	A	B	C	D	E	F	G	H	J	K
db	98.0	99.0	82.2	55.0	55.0	56.0	75.0	76.0	92.8	93.8
wb	78.7	78.9	67.7	55.0	55.0	55.4	62.4	62.7	75.1	75.4
RH%	43.1	41.8	47.7	N/A	N/A	96.4	49.5	47.9	44.5	43.1
Btu/Lbs.	42.1	42.3	32.1	23.2	23.2	23.5	28.0	28.3	38.5	38.8
gr./lbs.	117.7	117.7	78.7	64.6	64.6	64.6	64.3	64.3	103.3	103.3
	O A EAT	Motor LAT	Rotor LAT	C Coil	H Coil	S A LAT	R A EAT	Motor LAT	Rotor LAT	X A LAT

84.9 TONS OF COOLING REQUIRED (Conventional Method)

0.0 indicates not calculated

45.1 TONS OF FREE COOLING (Berner Unit)

39.8 TONS OF COOLING REQUIRED (Berner Unit)

CW or DXD	Type of Cooling
N/A	Glycol used for CW Coil
0%	% of Glycol

Heating

	A	B	C	D	E	F	G	H	J	K
db	0.0	1.0	52.1	52.1	99.0	99.0	70.0	71.0	19.9	20.9
wb	-1.2	-0.4	44.9	44.9	63.8	63.8	55.8	56.2	19.6	20.2
RH%	59.9	56.8	56.8	56.8	11.9	11.9	40.0	38.7	94.7	90.3
Btu/Lbs.	0.5	0.7	17.6	17.6	28.9	28.9	23.6	23.9	6.9	7.2
gr./lbs.	3.3	3.3	32.8	32.8	32.8	32.8	43.7	43.7	14.2	14.2
	O A EAT	Motor LAT	Rotor LAT	C Coil	H Coil	S A LAT	R A EAT	Motor LAT	Rotor LAT	X A LAT

1535547 BTUH OF LATENT HEAT REQUIRED (Conventional Method)

0.0 indicates not calculated

922456 BTUH OF FREE LATENT HEATING (Berner Unit)

678342 BTUH OF FREE SENSIBLE HEATING (Berner Unit)

Yes	Defrost Heater Recommended
0.00	Required kw of Defrost Heat when exceeding Frost Conditions

610638 BTUH OF SENSIBLE HEAT REQUIRED (Berner Unit)

HW or Steam	Type of Heating
N/A	Glycol used for HW Coil
0%	% of Glycol