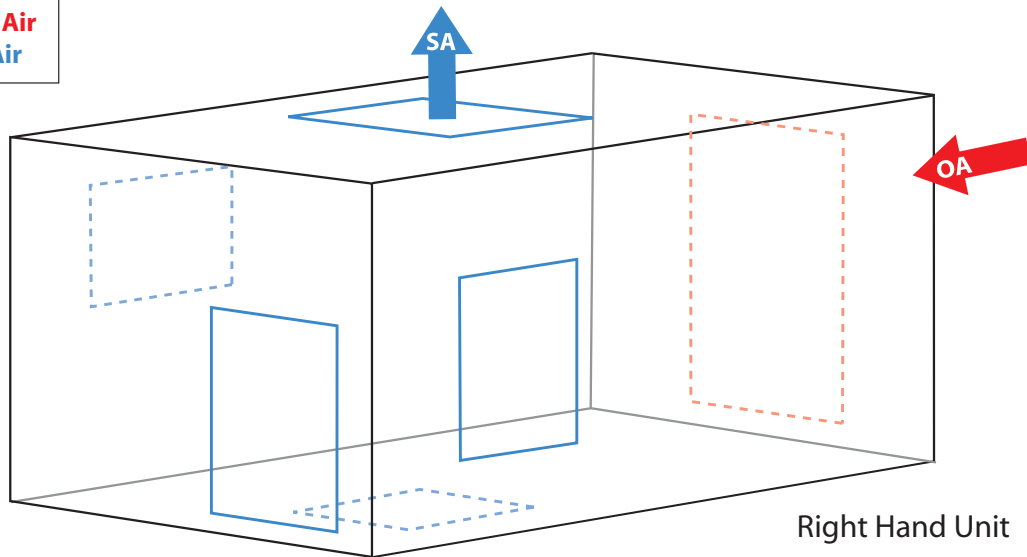


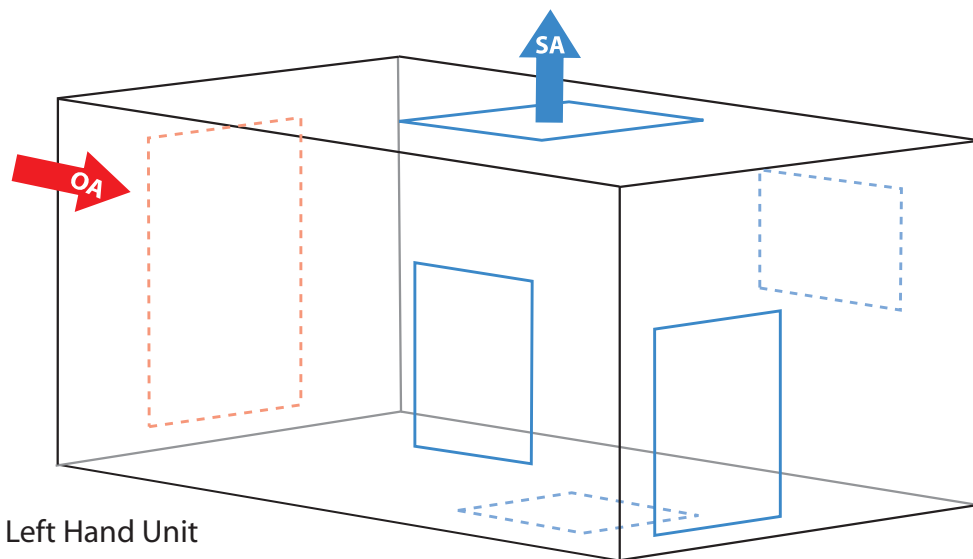
DUCT CONNECTIONS For model TRO

OA = Outside Air
SA = Supply Air



Right Hand Unit

CONNECTION	3820	4830	5840	5855	6875	6895	7812	8815	9617	9620
	W x H	W x H	W x H	W x H	W x H	W x H	W x H	W x H	W x H	W x H
OA Louver Door	20 x 36	24 x 48	24 x 60	30 x 60	36 x 68	48 x 68	48 x 80	52 x 90	60 x 96	72 x 96
SA Supply Air	10 x 16	12 x 19	13 x 21	15 x 24	18 x 29	21 x 32	23 x 35	26 x 41	29 x 44	32 x 44



Left Hand Unit

Outside Air (OA) opening will contain one of the following:

- Motorized louver (primarily outdoor units)
- Filter rack w/duct connection (indoor units)

All units can be built Right Hand (standard) or Left Hand. Berner's triangular plenum offers more versatility for engineers and owners, reducing footprint and ductwork.

Please verify final duct selection with factory. Some configurations may incur additional costs.