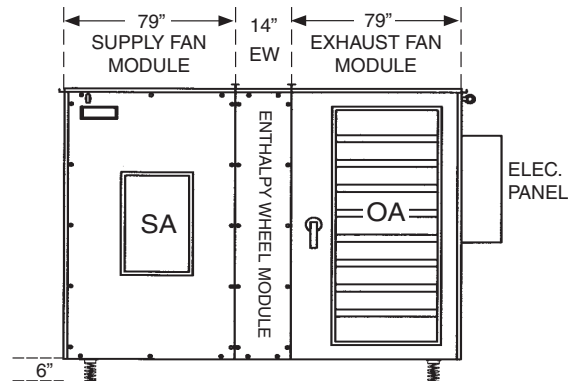
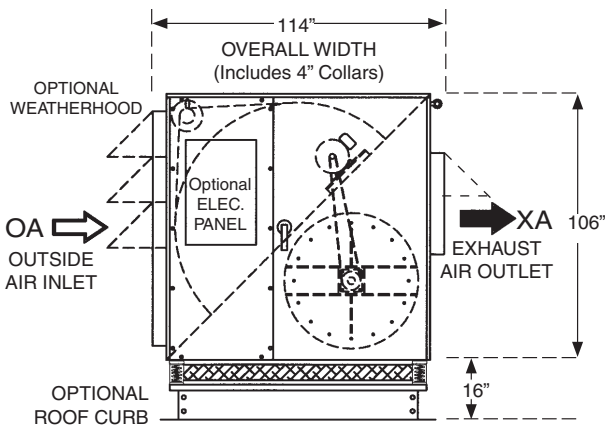


SUPPLY END

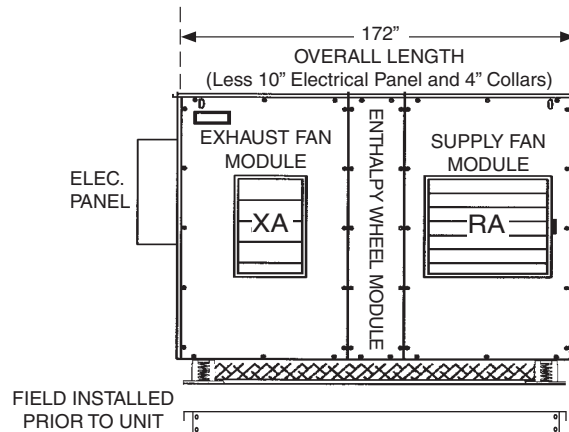


SUPPLY SIDE



EXHAUST END

EXHAUST SIDE



9620-ERV

18,000 to 22,000 CFM

December, 2009

SUPPLY FAN PERFORMANCE AND MOTOR SELECTION GUIDE

(Intersect CFM with external static pressure to determine fan h.p.)

CFM	OUTLET VEL. FPM		0.5 ESP	1.0 ESP	1.5 ESP	2.0 ESP	2.5 ESP	3.0 ESP	3.5 ESP
18000	1933	RPM	636	678	719	759	798	836	874
		BHP	8.06	9.65	11.3	13	14.73	16.48	18.3
		hp	10	15	15	15	20	20	25
19000	2041	RPM	657	697	736	775	812	849	885
		BHP	8.91	10.54	12.24	14.04	15.81	17.65	19.51
		hp	15	15	15	20	20	25	25
20000	2148	RPM	682	720	757	794	830	865	900
		BHP	9.97	11.67	13.41	15.25	17.11	19	20.94
		hp	15	15	20	20	20	25	25
21000	2256	RPM	707	743	779	814	849	883	N/A
		BHP	11.11	12.85	14.69	16.56	18.52	20.49	
		hp	15	15	20	20	25	25	
22000	2363	RPM	731	766	800	834	868	900	N/A
		BHP	12.28	14.11	15.97	17.93	19.97	21.95	
		hp	15	20	20	25	25	30	

EXHAUST FAN PERFORMANCE AND MOTOR SELECTION GUIDE

(Intersect CFM with external static pressure to determine fan h.p.)

CFM	OUTLET VEL. FPM		0.5 ESP	1.0 ESP	1.5 ESP	2.0 ESP	2.5 ESP	3.0 ESP	3.5 ESP
18000	1933	RPM	624	666	707	747	787	825	863
		BHP	7.63	9.18	10.8	12.47	14.23	15.96	17.76
		hp	10	15	15	15	20	20	25
19000	2041	RPM	646	686	726	764	802	839	875
		BHP	8.48	10.08	11.8	13.52	15.32	17.15	18.99
		hp	10	15	15	20	20	20	25
20000	2148	RPM	672	711	748	785	821	857	892
		BHP	9.54	11.26	12.98	14.79	16.64	18.56	20.5
		hp	10	15	15	20	20	25	25
21000	2256	RPM	697	734	770	805	840	874	N/A
		BHP	10.64	12.41	14.22	16.07	18	19.96	
		hp	15	15	20	20	25	25	
22000	2363	RPM	723	758	793	827	860	893	N/A
		BHP	11.87	13.68	15.58	17.52	19.47	21.51	
		hp	15	15	20	25	25	25	

FAN MOTOR AMP DRAW CHART

hp	208	240	480
10	27.3	24.7	12.3
15	41.0	38.0	19.0
20	54.0	50.0	24.9
25	66.0	60.0	30.0
30	78.0	71.0	35.0

WHEEL MOTOR AMP DRAW CHART

	208	240	480
1/2 hp	1.8	1.8	0.9

ACCESSORIES AMP DRAW CHART

	208	240	480
Enthalpy Wheel Rotation Detection	0.20	0.20	0.10
Damper Motor (ea.)	0.75	0.75	0.50
Radiant Defrost Heater Pkg. (ea.)	4.57	3.95	1.97
Temperature Sensor (ea.)	0.50	0.50	0.25
Lights and Receptical	12.00	12.00	6.00
Variable Frequency Drive for Fan (ea.)	0.50	0.50	0.25

Performance numbers are based on optimum conditions. Consult factory for precise performance.

Berner International Corp.

111 Progress Avenue, New Castle, PA 16101 / Telephone (724) 657-5301 / FAX (724) 652-0682 / www.berner.com / info@bernerenergy.com

©Copyright, 2009 Berner International Corp.