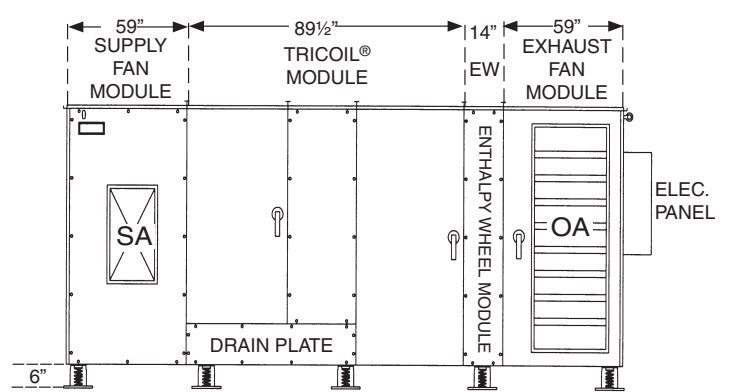
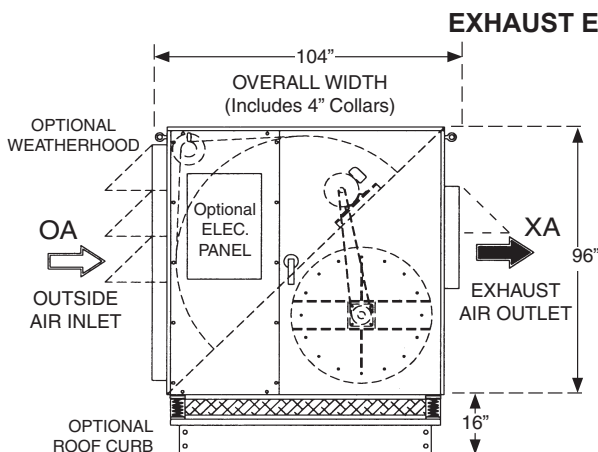


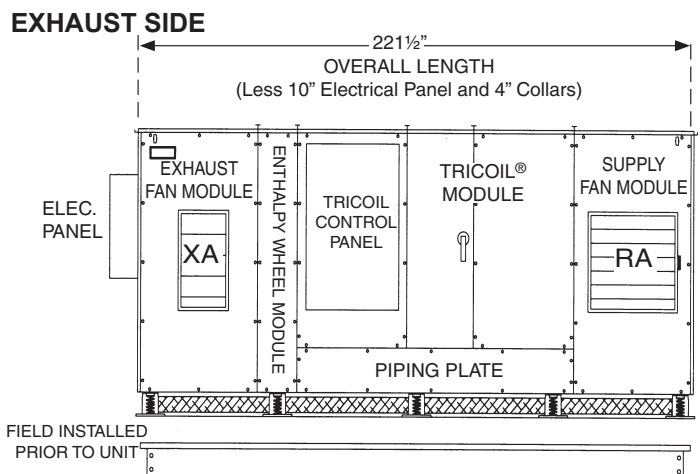
SUPPLY END



SUPPLY SIDE



EXHAUST END



EXHAUST SIDE

8815-TRC

14,000 to 16,000 CFM

December, 2009

SUPPLY FAN PERFORMANCE AND MOTOR SELECTION GUIDE

(Intersect CFM with external static pressure to determine fan h.p.)

CFM	OUTLET VEL. FPM		0.5 ESP	1.0 ESP	1.5 ESP	2.0 ESP	2.5 ESP	3.0 ESP	3.5 ESP
14000	2236	RPM BHP hp	1041 11.75 15	1083 13.05 20	1123 14.37 20	N/A	N/A	N/A	N/A
14500	2316	RPM BHP hp	1071 12.82 15	1111 14.14 20	N/A	N/A	N/A	N/A	N/A
15000	2396	RPM BHP hp	1100 13.92 20	1139 15.28 20	N/A	N/A	N/A	N/A	N/A
15500	2476	RPM BHP hp	1129 15.08 20	N/A	N/A	N/A	N/A	N/A	N/A
16000	2556	RPM BHP hp	N/A	N/A	N/A	N/A	N/A	N/A	NA

EXHAUST FAN PERFORMANCE AND MOTOR SELECTION GUIDE

(Intersect CFM with external static pressure to determine fan h.p.)

CFM	OUTLET VEL. FPM		0.5 ESP	1.0 ESP	1.5 ESP	2.0 ESP	2.5 ESP	3.0 ESP	3.5 ESP
14000	2236	RPM BHP hp	848 6.6 10	896 7.76 10	943 8.97 15	988 10.21 15	1031 11.45 15	1073 12.74 15	1114 14.07 20
14500	2316	RPM BHP hp	875 7.25 10	922 8.46 10	967 9.69 15	1010 10.94 15	1053 12.25 15	1093 13.53 20	1134 14.93 20
15000	2396	RPM BHP hp	901 7.91 10	946 9.14 15	990 10.42 15	1033 11.74 15	1074 13.05 20	1114 14.4 20	N/A
15500	2476	PM BHP hp	922 8.47 10	966 9.74 15	1009 11.05 15	1051 12.4 15	1091 13.75 20	1130 15.72 20	N/A
16000	2556	RPM BHP hp	945 9.12 15	988 10.43 15	1030 11.78 15	1071 13.16 20	1110 14.54 20	N/A	NA

ACCESSORIES AMP DRAW CHART

FAN MOTOR AMP DRAW CHART			
hp	208	240	480
10	27.3	24.7	12.3
15	41.0	38.0	19.0
20	54.0	50.0	24.9

WHEEL MOTOR AMP DRAW CHART			
	208	240	480
1/2 hp	1.8	1.8	0.9

Performance numbers are based on optimum conditions. Consult factory for precise performance.

	208	240	480
Enthalpy Wheel Rotation Detection	0.20	0.20	0.10
Damper Motor (ea.)	0.75	0.75	0.50
Radiant Defrost Heater Pkg. (ea.)	4.57	3.95	1.97
TRICOIL Pump Motor	4.00	4.00	2.00
Hot Water Modulating Ball-Valve	0.20	0.20	0.10
Temperature Sensor (ea.)	0.50	0.50	0.25
Lights and Receptical	12.00	12.00	6.00
Variable Frequency Drive for Fan (ea.)	0.50	0.50	0.25
Variable Frequency Drive for TRICOIL	0.25	0.25	0.15

Berner International Corp.

111 Progress Avenue, New Castle, PA 16101 / Telephone (724) 657-5301 / FAX (724) 652-0682 / www.berner.com / info@bernerenergy.com

©Copyright, 2009 Berner International Corp.