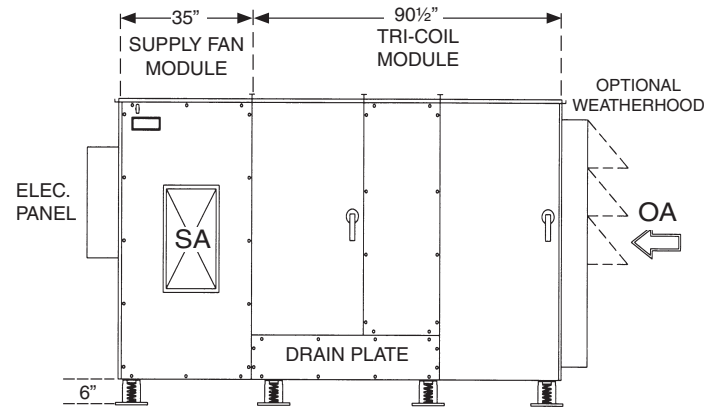
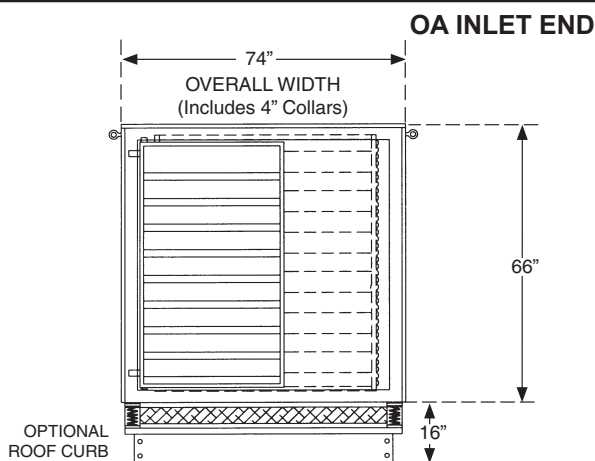


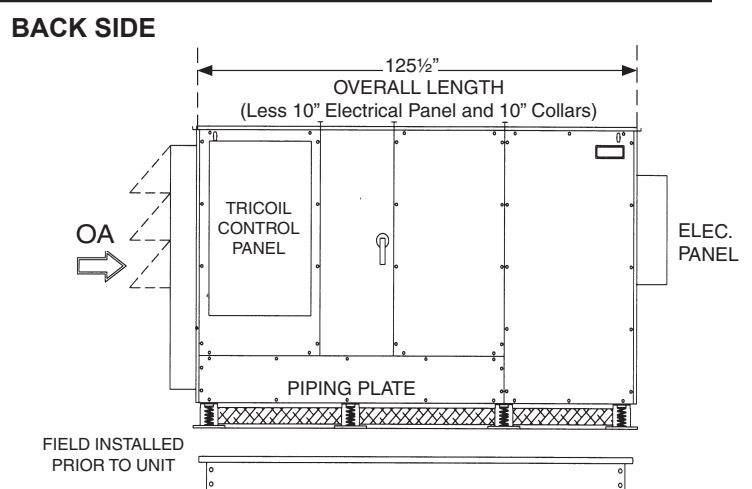
SUPPLY END



SUPPLY SIDE



OA INLET END



BACK SIDE

SUPPLY FAN PERFORMANCE AND MOTOR SELECTION GUIDE

(Intersect CFM with external static pressure to determine fan h.p.)

CFM	OUTLET VEL. FPM		0.5 ESP	1.0 ESP	1.5 ESP	2.0 ESP	2.5 ESP	3.0 ESP	3.5 ESP
4750	2066	RPM	1509	1597	1682	1765	1846	1925	N/A
		BHP	2.89	3.35	3.82	4.31	4.82	5.35	
		hp	5	5	5	5	7.5	7.5	
5000	2175	RPM	1578	1662	1743	1823	1901	N/A	N/A
		BHP	3.31	3.79	4.28	4.8	5.33		
		hp	5	5	5	7.5	7.5		
5500	2392	RPM	1703	1780	1856	1929	N/A	N/A	N/A
		BHP	4.19	4.71	5.25	5.79			
		hp	5	7.5	7.5	7.5			
5750	2501	RPM	1751	1826	1898	N/A	N/A	N/A	N/A
		BHP	4.58	5.12	5.66				
		hp	7.5	7.5	7.5				
6000	2610	RPM	1837	1908	N/A	N/A	N/A	N/A	N/A
		BHP	5.29	5.84					
		hp	7.5	7.5					

FAN MOTOR AMP DRAW CHART			
hp	208	240	480
5	14.0	12.7	6.4
7.5	21.0	19.0	9.5

ACCESSORIES AMP DRAW CHART			
	208	240	480
Damper Motor (ea.)	0.75	0.75	0.50
TRICOIL Pump Motor	3.00	3.00	3.00
Hot Water Modulating Ball-Valve	0.20	0.20	0.10
Temperature Sensor (ea.)	0.50	0.50	0.25
Lights and Receptical	12.00	12.00	6.00
Variable Frequency Drive for Fan (ea.)	0.50	0.50	0.25
Variable Frequency Drive for TRICOIL	0.25	0.25	0.15

Performance numbers are based on optimum conditions. Consult factory for precise performance.