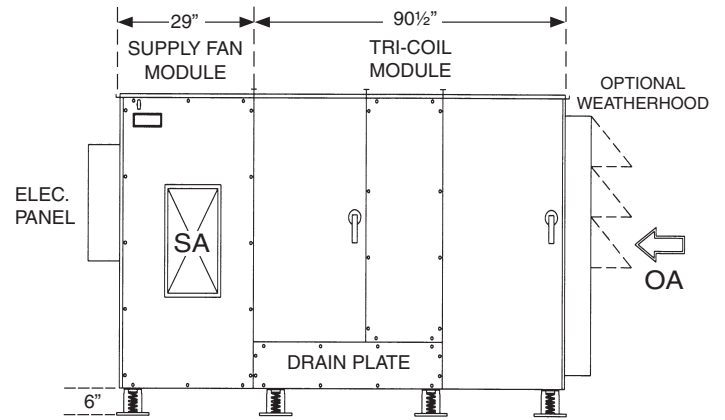
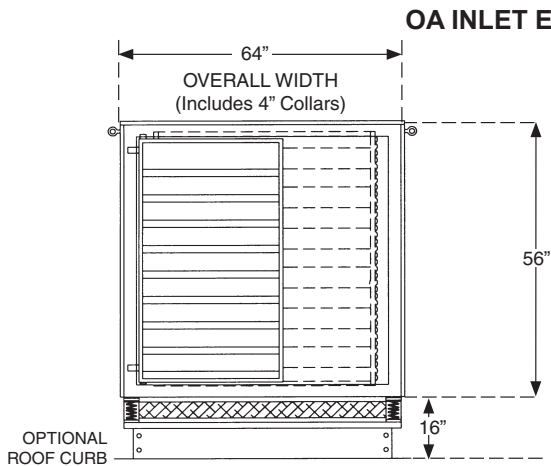


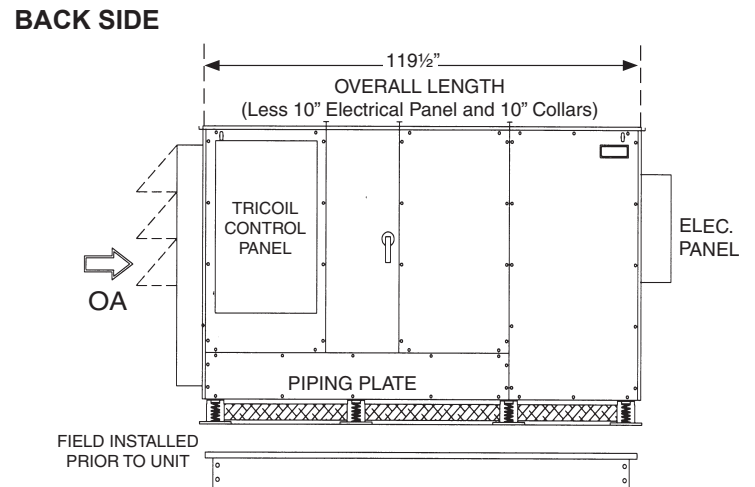
SUPPLY END



SUPPLY SIDE



OA INLET END



BACK SIDE

4830-TRO

2,500 to 3,500 CFM

December, 2009

SUPPLY FAN PERFORMANCE AND MOTOR SELECTION GUIDE

(Intersect CFM with external static pressure to determine fan h.p.)

CFM	OUTLET VEL. FPM		0.5 ESP	1.0 ESP	1.5 ESP	2.0 ESP	2.5 ESP	3.0 ESP	3.5 ESP
2500	1592	RPM	1577	1691	1799	1903	2006	2105	N/A
		BHP	1.29	1.56	1.85	2.16	2.49	2.82	
		hp	1.5	2	3	3	3	5	
2750	1752	RPM	1717	1822	1922	2018	2113	2205	2296
		BHP	1.66	1.96	2.28	2.6	2.95	3.3	3.68
		hp	2	3	3	3	5	5	5
3000	1911	RPM	1835	1934	2027	2118	2206	2293	N/A
		BHP	2.04	2.36	2.69	3.04	3.4	3.77	
		hp	3	3	5	5	5	5	
3250	2070	RPM	1944	2037	2126	2211	2295	N/A	N/A
		BHP	2.44	2.78	3.13	3.49	3.87		
		hp	3	5	5	5	5		
3500	2229	RPM	2099	2185	2269	2349	N/A	N/A	N/A
		BHP	3.06	3.43	3.81	4.2			
		hp	5	5	5	5			

hp	208	240	480
1-1/2	4.5	4.4	2.2
2	6.0	5.9	3.0
3	8.6	8.4	4.2
5	14.0	12.7	6.4

	208	240	480
Damper Motor (ea.)	0.75	0.75	0.50
TRICOIL Pump Motor	3.00	3.00	3.00
Hot Water Modulating Ball-Valve	0.20	0.20	0.10
Temperature Sensor (ea.)	0.50	0.50	0.25
Lights and Receptical	12.00	12.00	6.00
Variable Frequency Drive for Fan (ea.)	0.50	0.50	0.25
Variable Frequency Drive for TRICOIL	0.25	0.25	0.15

Performance numbers are based on optimum conditions. Consult factory for precise performance.

Berner International Corp.

111 Progress Avenue, New Castle, PA 16101 / Telephone (724) 657-5301 / FAX (724) 652-0682 / www.berner.com / info@bernerenergy.com

©Copyright, 2009 Berner International Corp.